



Nameplate Specifications

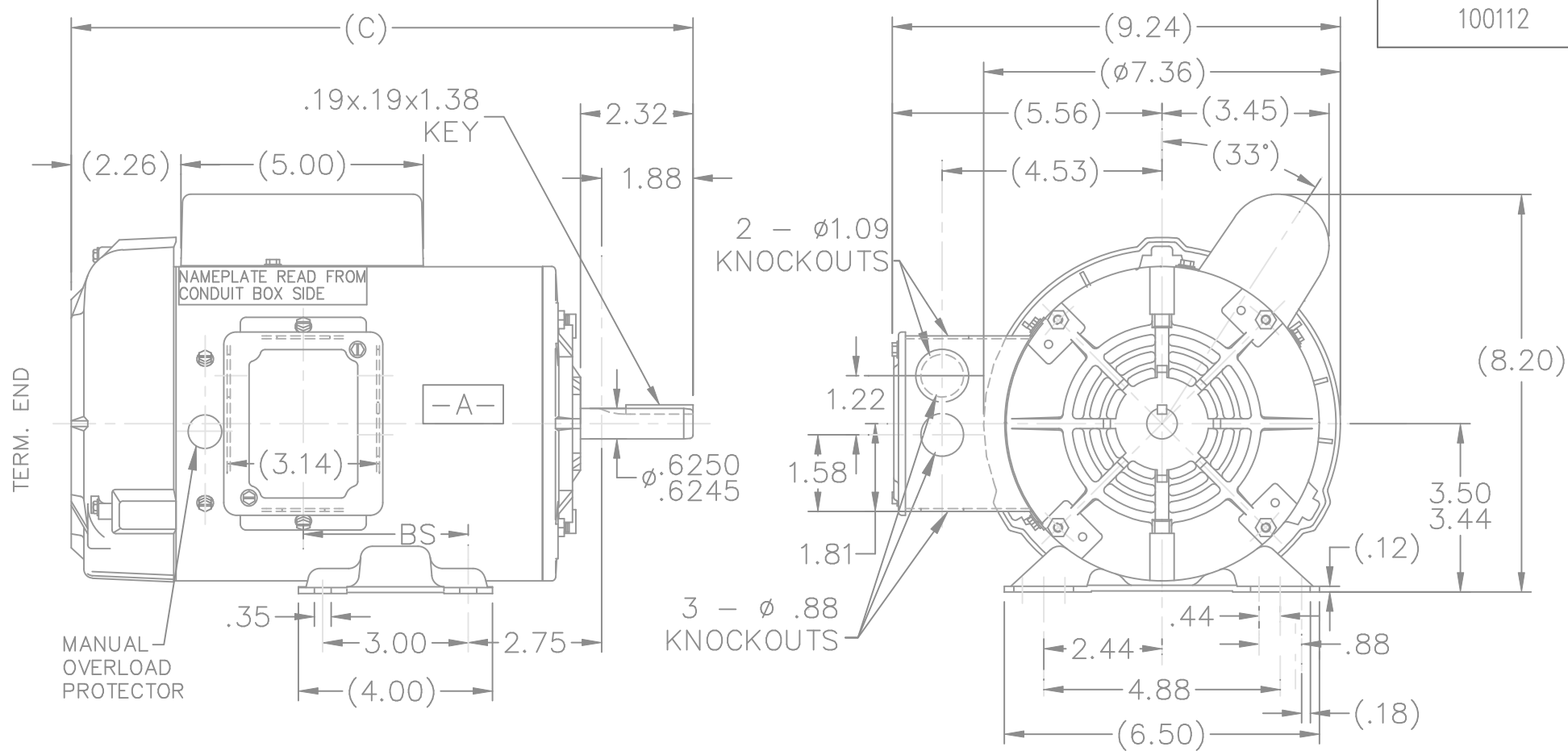
Output HP	0.50 Hp	Output KW	0.37 kW
Frequency	60 Hz	Voltage	115/208-230 V
Current	8.4/4.0-4.2 A	Speed	3450 rpm
Service Factor	1.15	Phase	1
Efficiency	59.5 %	Duty	Continuous
Insulation Class	B	Design Code	N
KVA Code	N	Frame	56
Enclosure	Totally Enclosed Fan Cooled	Overload Protector	Manual
Ambient Temperature	40 °C	Drive End Bearing Size	6203
Opp Drive End Bearing Size	6203	UL	Recognized
CSA	Y	CE	Y
IP Code	43		

Technical Specifications


Electrical Type	Capacitor Start Induction Run	Starting Method	Across The Line
Poles	2	Rotation	Selective Clockwise
Mounting	Rigid base	Motor Orientation	Horizontal
Drive End Bearing	Ball	Opp Drive End Bearing	Ball
Frame Material	Rolled Steel	Shaft Type	NEMA 56
Overall Length	11.82 in	Frame Length	6.56 in
Shaft Diameter	0.625 in	Shaft Extension	2.32 in
Assembly/Box Mounting	F1 Only		
Outline Drawing	A-100112-656	Connection Diagram	102005-52

This is an uncontrolled document once printed or downloaded and is subject to change without notice. Date Created: 07/02/2018

100112



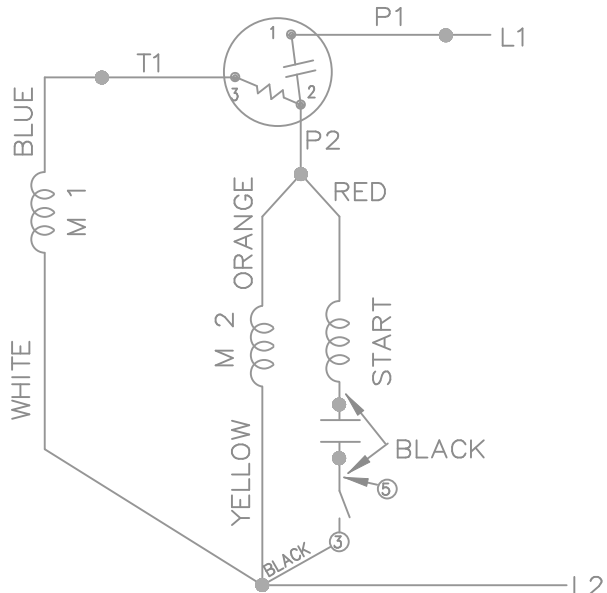
DASH	FR.	C	BS	
656	56-65	11.82	2.40	
706	56-70	12.32	2.90	
756	56-75	12.82	3.40	

				TOLERANCES UNLESS SPECIFIED			DRAWN KL 11-16-1993				
				DEC.	INCHES		CHK ML 11-16-1993				
				.X	±.1	TITLE OUTLINE 56 FR. -BB-TEFC-1ø - MANUAL PROTECTOR	APPD GK 11-16-1993				
				.XX	±.03		SCALE 5=16				
4	RE-ISSUE CLARIFIED DRAWING	NJS 12-10-2003	JET	.XXX	±.005	MAT'L. FINISH	REF				
3	REDRAWN ON CADD - NO CHANGES	KL 11-16-1993		.XXXX	±.0005		FMF				
NO.	REVISION	BY & DATE	CHK	ANG	±'		PREV				
				RFP		CAD FILE 100112	SIZE A	DRAWING NO. 100112	PAGE	OF	REV. 4
				DIST	WP						

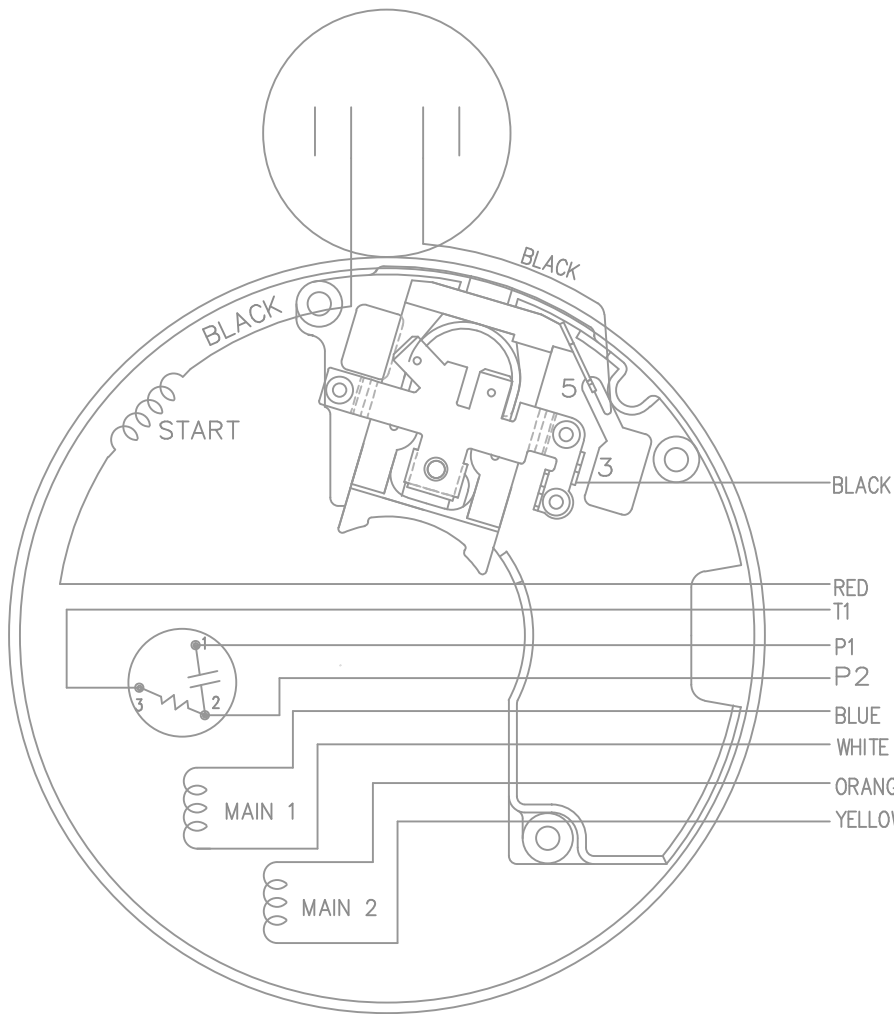
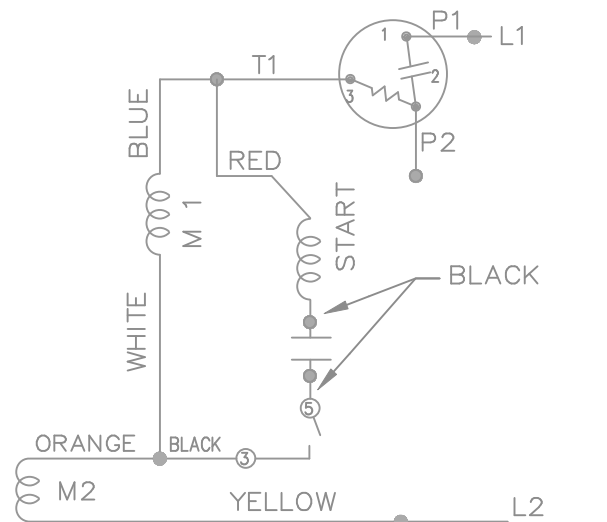
THIS DRAWING IN DESIGN AND DETAIL IS OUR PROPERTY AND MUST NOT BE USED EXCEPT IN CONNECTION WITH OUR WORK ALL RIGHTS OF DESIGN AND INVENTION ARE RESERVED THIS IS AN ELECTRONICALLY GENERATED DOCUMENT - DO NOT SCALE THIS PRINT

9/27/2008 5:58:04 AM

LOW VOLTAGE - CCW

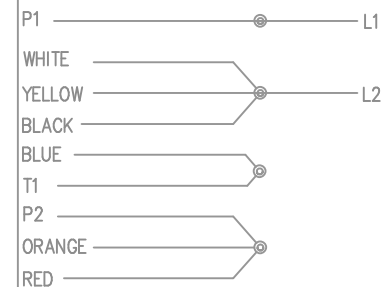


HIGH VOLTAGE - CCW

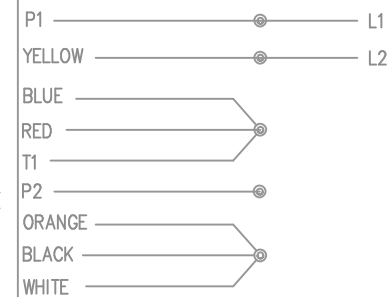


DUAL VOLTAGE
CAPACITOR START
OVERLOAD
SELECT ROTATION

LOW VOLT. CCW ROT.



HIGH VOLT. CCW ROT.



FOR CW ROTATION
EITHER VOLTAGE
INTERCHANGE RED
WITH BLACK

			TOLERANCES UNLESS SPECIFIED		MARATHON ELECTRIC	DRAWN BRH 02-29-1996			
			DEC.	INCHES		CHK ML 03-06-1996			
			.X	±.1	TITLE CONNECTION DIAGRAM	APPD GK 03-06-1996	SCALE 5=8		
6	REISSUE	BRH 03-13-1996	.XXX	±.005		REF			
5	REDRAWN ON CADD	BRH 03-06-1996	.XXXX	±.0005		MAT'L.	FMF		
NO.	REVISION	BY & DATE	CHK ANG	±7'30"		FINISH	PREV		
THIS DRAWING IN DESIGN AND DETAIL IS OUR PROPERTY AND MUST NOT BE USED EXCEPT IN CONNECTION WITH OUR WORK ALL RIGHTS OF DESIGN AND INVENTION ARE RESERVED THIS IS AN ELECTRONICALLY GENERATED DOCUMENT - DO NOT SCALE THIS PRINT			RFP		CAD FILE 102005-52	SIZE A	DRAWING NO. 102005-52	PAGE OF	REV. 6
			DIST WP						

CERTIFICATION DATA SHEET

Model#: 56C34F5307 F WINDING#: ZC280 NONE 3
 CONN. DIAGRAM: 102005-52 ASSEMBLY: F1 ONLY
 OUTLINE: A-100112-656

TYPICAL MOTOR PERFORMANCE DATA

HP	KW	SYNC. RPM	F.L. RPM	FRAME	ENCLOSURE	KVA CODE	DESIGN
1/2	.37	3600	3450	56	TEFC	N	N

PH	Hz	VOLTS	FL AMPS	START TYPE	DUTY	INSL	S.F	AMB°C	ELEVATION
1	60	115/208-230	8.4/4-4.2	ACROSS THE LINE	CONTINUOUS	B3	1.15	40	3300

FULL LOAD EFF: 59.5	3/4 LOAD EFF: 48.9	1/2 LOAD EFF: 42.9	GTD. EFF	ELEC. TYPE	NO LOAD AMPS
FULL LOAD PF: 70	3/4 LOAD PF: 65.7	1/2 LOAD PF: 54.3	0	CAP START IND RUN	6.4 / 3.2

F.L. TORQUE	LOCKED ROTOR AMPS	L.R. TORQUE	B.D. TORQUE	F.L. RISE°C
12 LB-FT	49 / 24.5	45 LB-FT 0	35.5 LB-FT 0	55

SOUND PRESSURE @ 3 FT.	SOUND POWER	ROTOR WK^2	MAX. WK^2	SAFE STALL TIME	STARTS /HOUR	APPROX. MOTOR WGT
- dBA	- dBA	0 LB-FT^2	- LB-FT^2	- SEC.	-	0 LBS.

*** SUPPLEMENTAL INFORMATION ***

DE BRACKET TYPE	ODE BRACKET TYPE	MOUNT TYPE	ORIENTATION	SEVERE DUTY	HAZARDOUS LOCATION	DRIP COVER	SCREENS	PAINT
STANDARD	BRAKE	RIGID	HORIZONTAL	FALSE	NONE	FALSE	NONE	GRAY (POWDER)

BEARINGS		GREASE	SHAFT TYPE	SPECIAL DE	SPECIAL ODE	SHAFT MATERIAL	FRAME MATERIAL
DE	OPE						
BALL	BALL	POLYREX EM	STANDARD 56	NONE	NONE	1144 STRESSPROOF (C-223)	ROLLED STEEL
6203	6203						

THERMO-PROTECTORS				THERMISTORS	CONTROL	SPACE /n HEATERS
THERMOSTATS	PROTECTORS	WDG RTDs	BRG RTDs			
NONE	MANUAL	NONE	NONE	NONE	FALSE	NONE VOLTS

If Inverter equals NONE, contact factory for further information

*
N
O
T
E
S
*

INVERTER TORQUE: NONE
INV. HP SPEED RANGE: NONE
ENCODER: NONE
NONE NONE
NONE NONE PPR
BRAKE: PROVISIONS FOR KIT NONE
NONE P/N NONE
NONE NONE
NONE FT-LB NONE V NONE Hz

DATE: 06/27/2017 07:49:42 AM
 FORM 3531 REV.3 02/07/99
 ** Subject to change without notice.